

SUSTAINABILITY DECLARATION

6000



Kinnarps[®]

QUALITY AND ENVIRONMENTAL LABELLING



MATERIAL CONTENT

Steel	12,4 kg	62 %
Plastic	2,8 kg	14 %
Aluminium	1,9 kg	9 %
Foam	1,6 kg	8 %
Wood	0,8 kg	4 %
Fabric	0,5 kg	3 %
Total	20 kg	100 %

Disclaimer: Material content is based on 6240 with plastic base and wool fabric.

RECYCLED MATERIAL

Post-consumer recycled content	4,2 kg	21 %
Pre-consumer recycled content	0 kg	0%
Total recycled content	4,2 kg	21 %

*Disclaimer: The recycled content is based on 6240 with plastic base and wool fabric.
Numbers may vary based on model and options selected.*

RECYCLABILITY:

Material recycling	85 %
Energy recovery	15 %
Total recyclability	100 %

TOTAL CO2:



ENERGY VALUE: (in accordance with NF Environnement):

1001 MJ

FULFILLED TECHNICAL STANDARDS

- EN 1335-1 Dimensions
- EN 1335-2 Safety requirements
- EN 1335-3 Safety test methods, tested against 110 kg personnel weight
- EN12720:2009+A1:2013 Assessment of surface resistance to cold liquids
- SS 839117 Assessment of resistance to spotting from fat on scratched surface
- BS 5459-2:2000 + A2:2008 Specification for performance requirements and tests for office furniture. Office pedestal seating for use by persons weighing up to 150kg and for use up to 24 hours a day

FULFILLED FIRE REQUIREMENTS

- EN 1021-1 Assessment of the ignitability of upholstered furniture – part 1: Ignition source smouldering cigarette, with Kinnarps standard fabrics
- EN 1021-2 Assessment of the ignitability of upholstered furniture – part 2: Ignition source match flame equivalent, with Kinnarps standard fabrics

ADDITIONAL INFORMATION

- This product has an EPD according to EN15804+A1:2013, NPCR 026:2018 Part B for furniture

CHEMICAL DATA

The product does not contain:

Substances on Reach candidate list

Substances on Living Building Challenge Red List

Asbestos

Heavy metals

Phthalates

Brominated or halogenated flame retardants

PVC

Hexavalent chromium

Biocides

COMPANY CERTIFICATIONS

- ISO 9001
- ISO 14001
- ISO 45001
- FSC® Chain of Custody

PACKAGING AND TRANSPORT

The product is shipped with blankets and cardboard sheets as packaging material that is returned to the factories after delivery and reused. This method saves 270 kg of packaging material per container and enables 50% more products to be transported in each truck. Kinnarps' trucks have a load efficiency of over 90% and are run on diesel with renewable content that reduces CO₂ emissions.

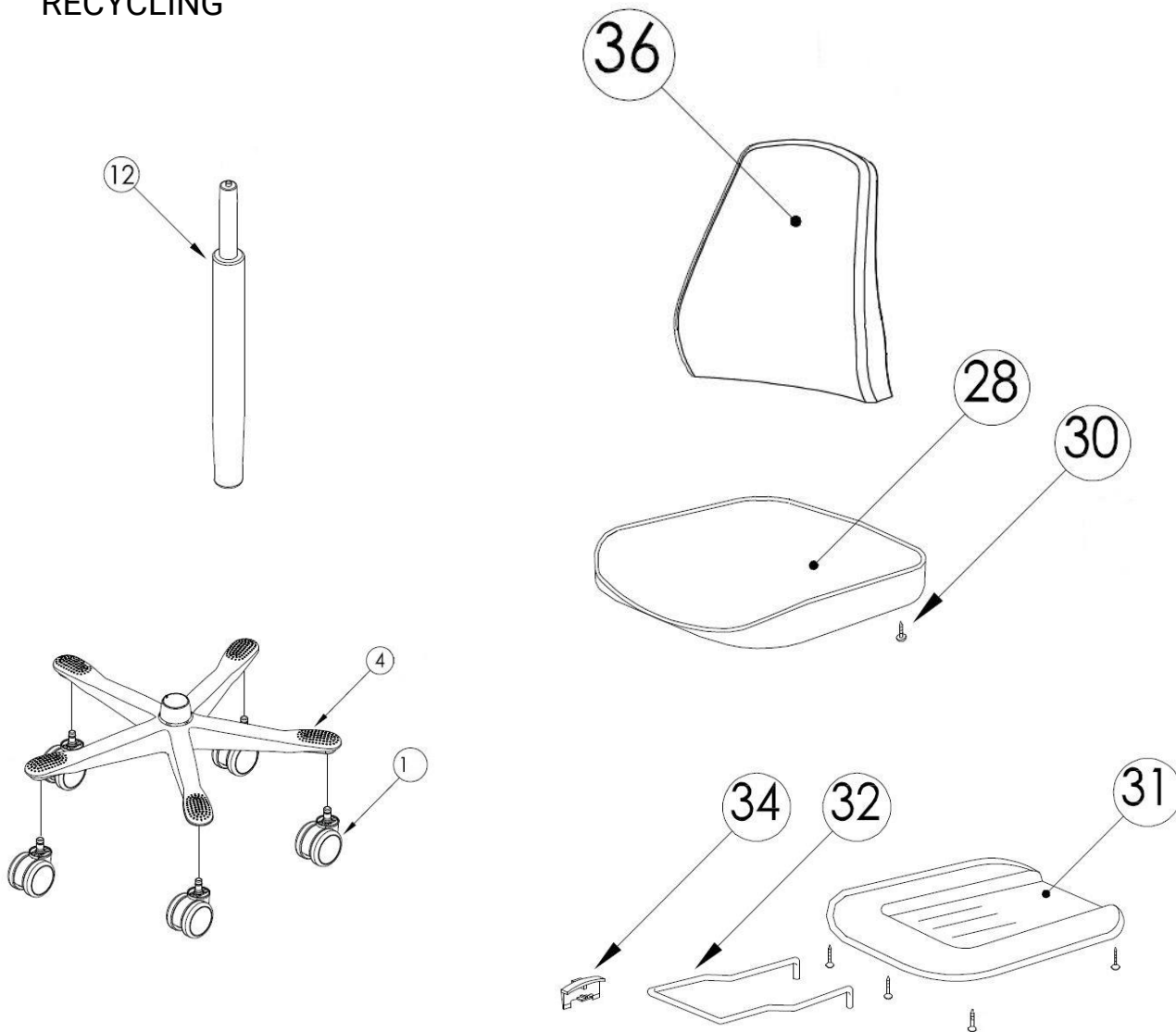
MATERIALS

- **Fabrics:** All of Kinnarps' standard fabrics are free from flame retardants and azo dyes. Kinnarps can also offer multiple fabrics labelled with or fulfilling the requirements of EU Ecolabel and/or Oeko-Tex.
- **Wood:** We use FSC® and PEFC certified wood material in the production of our products. The origin and legality of all wood material is controlled and assessed in accordance with Kinnarps Timber Trading Policy. All wood boards fulfil high requirements regarding formaldehyde in accordance with CARB Phase II or half E1.
- **Metal finishing:** Kinnarps use powder coating for surface treatment of metal which gives very low emissions of volatile organic compounds (VOC). For chrome executions, only trivalent chrome is used.
- **Wood finishing:** Kinnarps treats the surface of veneered tables and storage with water based UV-lacquer which ensures very low application quantities of volatile organic compounds (VOC).
- **Plastic:** Plastic components that are used in products produced by Kinnarps are free from PVC and flame retardants, with the exception of some plastic parts of electrical components. The plastic is also free from PFOS, Bisfenol A and phthalates. Plastic components over 100 g are labelled according to ISO 11469.
- **Padding:** The padding in our task chairs is manufactured in Kinnarps' factory in Skillingaryd, Sweden, which enables us to have control over the whole process and ensure a safe production. The padding used in other products is certified with Oeko-Tex. All padding used in Kinnarps' products are free from flame-retardants and azo dyes.
- **Electronics:** Electronic components are CE-labelled and complies with the EU RoHS directive. This prohibits the use of lead, mercury, cadmium and hexavalent chrome, as well as the flame-retardants PDD and PBDE, in electronic products. Conflict minerals are not allowed in the components.
- **Separability:** Separability is taken into consideration in the product development process in order to facilitate the recycling of material when the products no longer can be used. Different types of material is not casted together in a way that makes it hard to recycle. Products are designed with replaceable parts that are easy to change.

CARE AND MAINTENANCE RECOMMENDATIONS

<https://www.kinnarps.com/care-recommendations/>

RECYCLING



ID	Material	Tools for Disassembly	Waste fraction
1	PA, PP, TPU, Zink	Manual force	Combustible waste
4	Plastic PA	Hammer/Manual force	Metal
12	Steel	Hammer	Metal
28	Textile, foam, wood	Screwdriver/Manual force	Combustible waste
30	Steel	Screwdriver	Metal
31	Steel	Screwdriver	Metal
32	Steel	Manual force	Metal
34	Steel	Manual force/Hammer	Metal
36	Textile, foam, wood	Screwdriver/Manual force	Combustible waste

*The product should in first hand be reused or remade before recycling its components.

LEED CONTRIBUTION

The product can contribute to the earning of points within the following credits.

LEED V 4

Interior Design & Construction

MR Credit: Interiors life-cycle impact reduction	Kinnarps offers services for recycling, refreshing or reusing products. Share of recyclable material in the product: 85 %
MR Credit: Building product disclosure and optimization – sourcing of raw materials	Recycled content: Post-consumer 21 %, Pre-consumer 0 % Manufactured in Kinnarp, Sweden

Building Design and Construction

MR Credit: Building product disclosure and optimization – sourcing of raw materials	Recycled content: Post-consumer 21 %, Pre-consumer 0 % Manufactured in Kinnarp, Sweden
MR Credit: Furniture and medical furnishings (healthcare)	The product contains no or less than 100 ppm hexavalent chromium, heavy metals, PFCs or PFOA, or added anti-microbial treatments. Recycled content: Post-consumer 21 %, Pre-consumer %

Building Operations and Maintenance

MR Credit: purchasing—facility maintenance and renovation	The product does not contain any substances on REACH Authorization or Candidate list.
---	---

WELL v2 CONTRIBUTION

The product can contribute to preconditions or the earning of points within the following features.

Preconditions

V02 Visual and Physical Ergonomics	The product is tested and compliant with the standard EN-1335.
A01 Fundamental Air Quality	Thresholds for organic gases are met and may contribute to this feature.

Optimizations

A05 Enhanced Air Quality	Thresholds for organic gases are met and may contribute to this feature.
X08 Hazardous Materials Limitations	The product is free from mercury, cadmium, antimony and hexavalent chromium and may contribute to this feature.
X10 Volatile Compound Reduction	The product is free from halogenated flame retardants and may contribute to this feature.

Verified date: 2022-12-08